

1

2

3

4

5

6

A

A

B

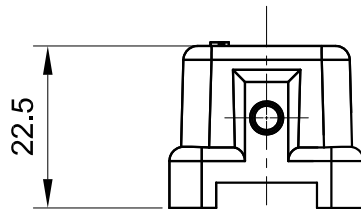
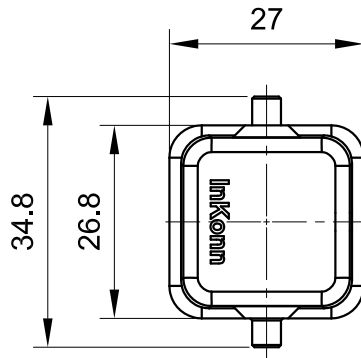
B

C

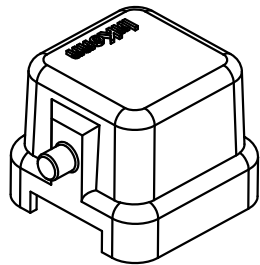
C



D

D



for housings with male insert



 All Dimensions in mm Original Size DIN A4	Date 2019-11-1	Drawing No. TC8683004	Rev. A00	Scale 1:1
	 InKonn (Suzhou) Electric Technology Co.,Ltd.	Part No. 10 07 003 0800	Created by Shuxu Huang	Checked by Yiyi Luo
Type Name HPA3-PC/M-DB				

1

2

3

4

5

6